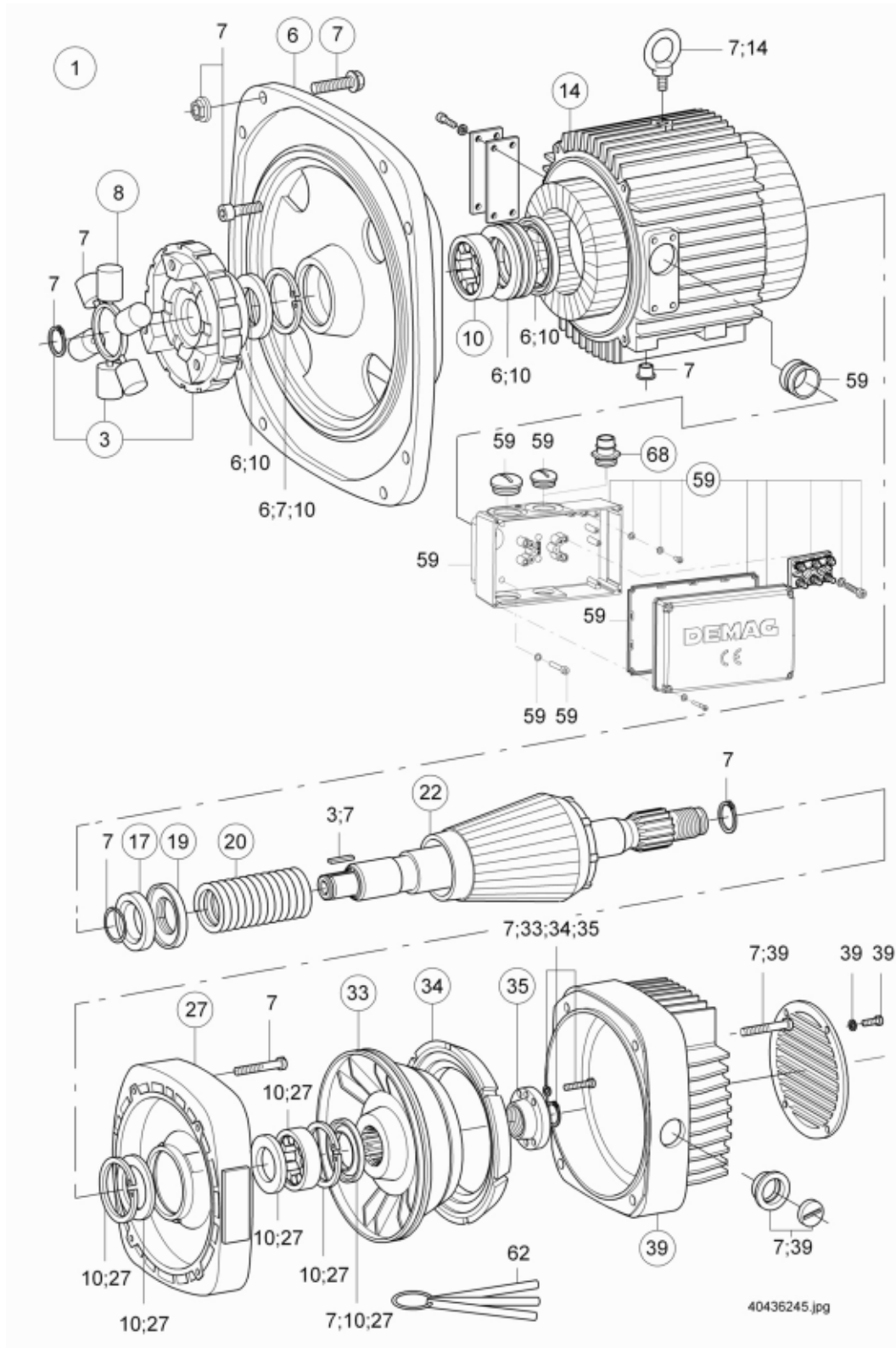


Main/creep hoist motor KBH 180 B2/12-F6



Main/creep hoist motor KBH 180 B2/12-F6

Item no.	Part no.	Quantity	Designation	Material	Standard
1	09001833	1	Motor KBH180B2/12 1010 S		
3	35191933	1	Coupling set M H3ND-48		
6	09468433	1	End shield set KBH180/1000		3)
7	09483533	1	Mounting parts set KB180		
8	71842133	1	Roller spider coupling Set		
10	09409933	1	Bearing and sealing set KB180		
14	09102733	1	Stator KBH180B 2/12 S		400V,50Hz 1)
17	09480833	1	Air gap adjustment set KB180		1)
# 19	09482233	1	Disc spring set KB 180		
# 20	09477784	1	Pressure spring 7,5 x74,5x197 GbGn		739 N
22	09432433	1	Rotor set KBH180B12/2		1)
27	09460633	1	End shield set BS KB 180		
33	09475533	1	Brake light wide KB180 X		
34	09474633	1	Conical brake ring KB180		
35	09471433	1	Clamping nut set KB180		
39	09409833	1	Brake cover set STD+STD		2)
59	09409733	1	Brake cover set ZN+STD		
62	10015384	3	Feeler gauge set		
68	82157444	1	Pipe socket M40X1,5 NW37		

21731103.tbl

1) When ordering a rotor or stator, an air gap adjustment set (item no. 17) and feeler gauge set (item no. 62) must also be ordered for adjusting the theoretical air gap.
 2) For service in arduous conditions, galvanized brake surface.
 3) Sealing surfaces between motor and gearbox flange to be sealed with Loctite 573. Part no. 033 068 44.