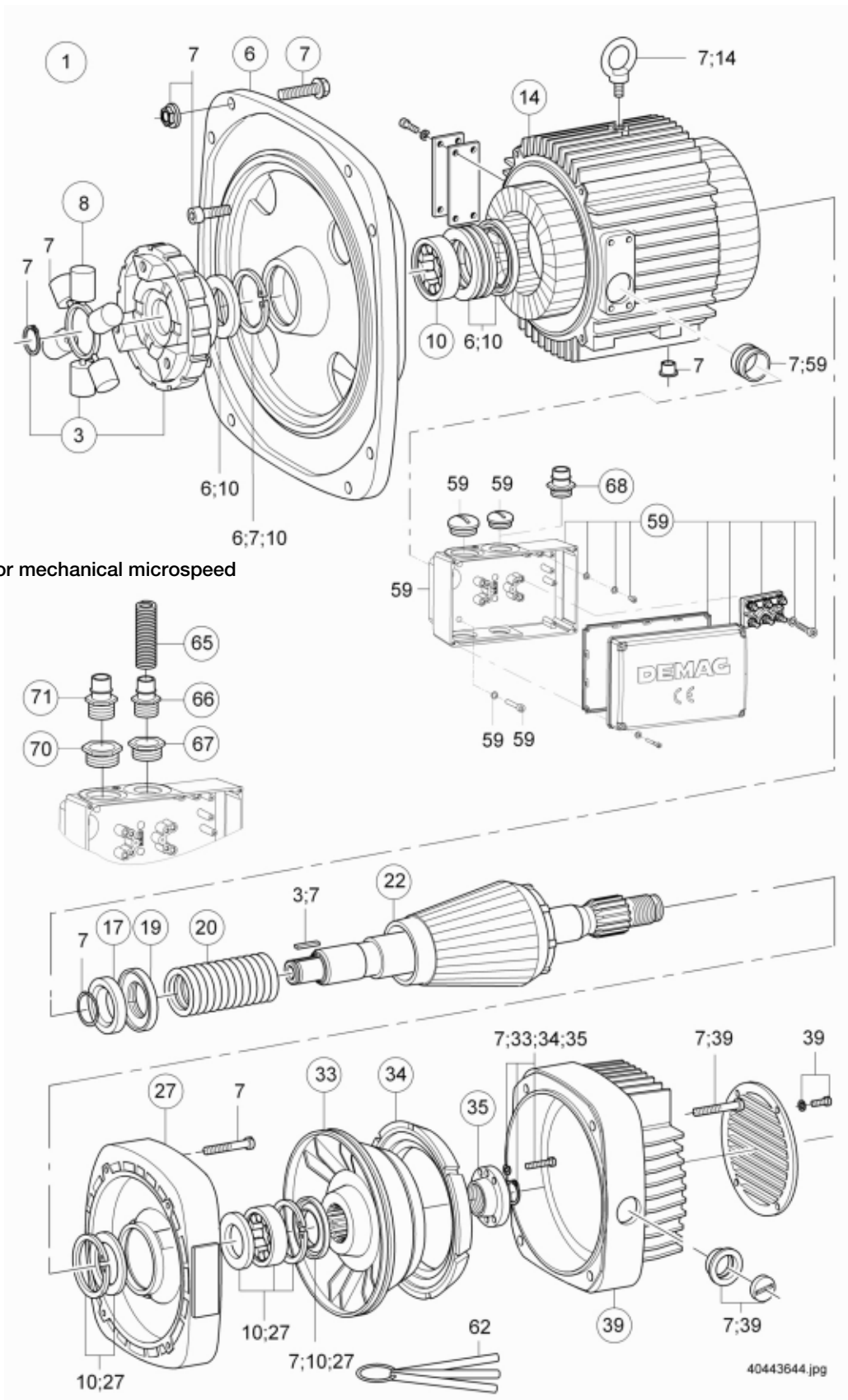


# Main hoist motor KBH 160 B4

# Main/creep hoist motor KBH 160 B2/12-F6



# Main hoist motor KBH 160 B4

## Main/creep hoist motor KBH 160 B2/12-F6

Item no.	Part no.	Quantity	Designation	Material	Standard
1	08502733	1	Motor KBH160B 4 DH1000 S		
1	08502833	1	Motor KBH160B2/12DH1000 S		
3	35192433	1	Coupling set M/KBH H3ND-42		
6	08966033	1	End shield set KBH160/1000		3)
7	08983533	1	Mounting parts set KB160		
8	71842133	1	Roller spider coupling Set		
10	08909933	1	Bearing and sealing set KB160		
14	08603233	1	Stator set KBA160B4AB		230/400V,50Hz 1)
14	08603333	1	Stator KBH160B2/12ABS		400V,50Hz 1)
17	08980833	1	Air gap adjustment set KB160		1)
# 19	08982233	1	Disc spring set KB 160		
# 20	08977784	1	Pressure spring 7 x67 x144 GbGn		574 N
22	08932733	1	Rotor set KBA160B4 GTR		1)
22	08933633	1	Rotor KBH160B12GTR S		1)
27	08960633	1	End shield set BS KB 160		
33	08979133	1	Brake set light wide KB160		
34	08974633	1	Conical brake ring KB160		
35	08971433	1	Clamping nut set KB160		
39	08909833	1	Brake cover set STD+STD		
39	08909733	1	Brake cover set ZN+STD		2)
59	08498533	1	Terminal box set KB140-160		
62	10015384	3	Feeler gauge set		
65	89506144	1	Corrugated hose FFMYDNW17		
66	82157044	1	Pipe socket M25X1,5 NW17		
67	79499444	1	Reduction M40-M25 M		
68	82157444	1	Pipe socket M40X1,5 NW37		
69	60045944	6	Plug 10,5X 9,5		
70	79499344	1	Reduction M50-M32 M		
71	82157344	1	Pipe socket M32X1,5 NW37		

21731102.tbl

# 1) When ordering a rotor or stator, an air gap adjustment set (item no. 17) and feeler gauge set (item no. 62) must also be ordered for adjusting the theoretical air gap.  
 2) For service in arduous conditions, galvanized brake surface.  
 3) Sealing surfaces between motor and gearbox flange to be sealed with Loctite 573. Part no. 033 068 44.