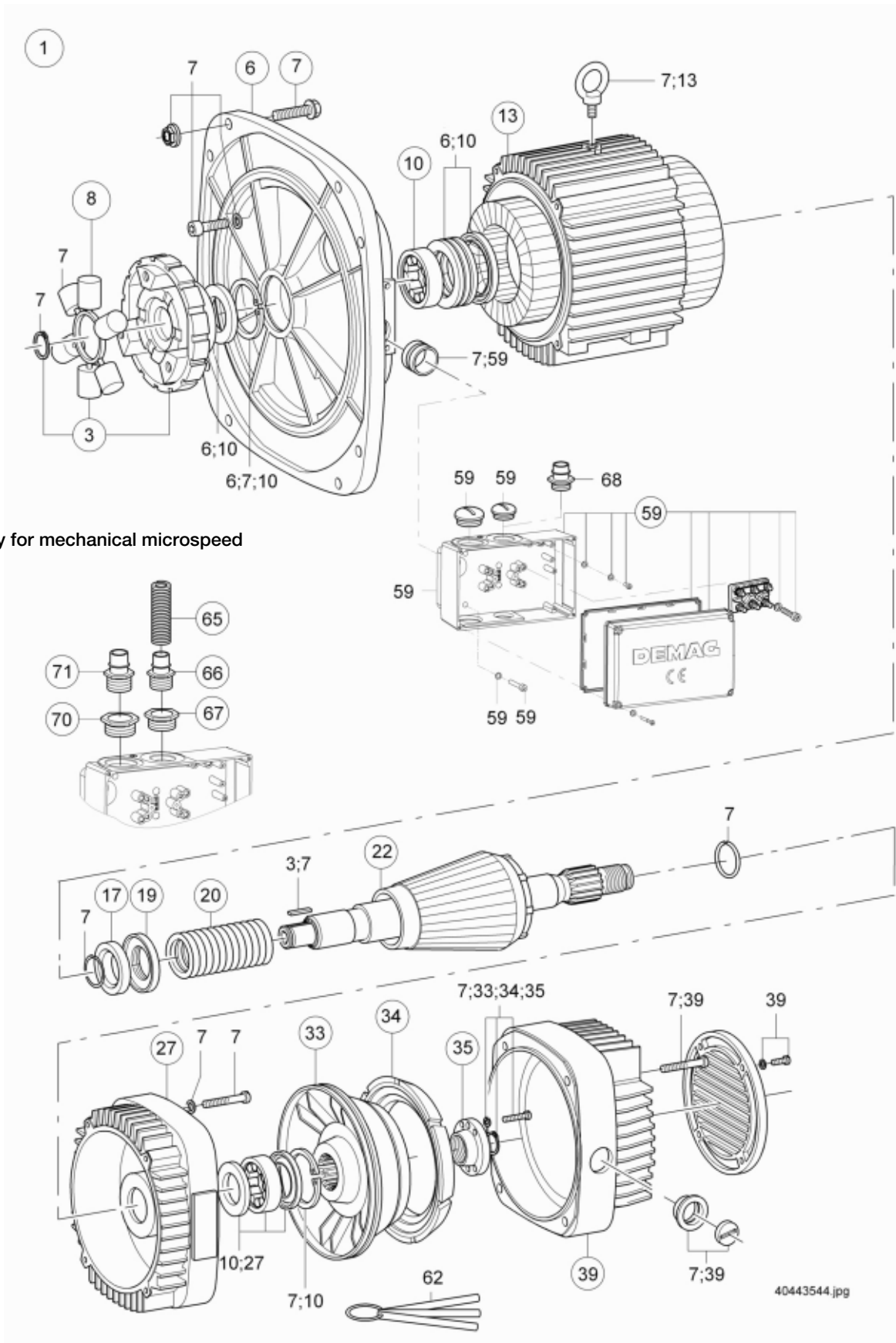


# Main hoist motor KBH 140 B4



only for mechanical microspeed

# Main hoist motor KBH 140 B4

Item no.	Part no.	Quantity	Designation	Material	Standard
1	08007933	1	Motor set KBH140B4 DH1000		
3	35192333	1	Coupling set M H3ND-32K		
6	08465933	1	End shield set KBH140/1000		3)
7	08483533	1	Mounting parts set KB140		
8	71842133	1	Roller spider coupling Set		
10	08409933	1	Bearing and sealing set KB140		
13	08103233	1	Stator KKBA140B 4AB S		1)
17	08480833	1	Air gap adjustment set KB140		1)
# 19	08482284	1	Disc spring pack KB 140		
# 20	08477684	1	Pressure spring 8 x62 x114 GbBl		1588 N
22	08430933	1	Rotor set KBA140B 4 K		1)
27	08460633	1	End shield set BS KB 140		
33	08479133	1	Brake set light wide KB140		
34	08478633	1	Conical brake ring KB140		
35	08471433	1	Clamping nut set KB140		
39	08409833	1	Brake cover set STD+STD		
39	08409733	1	Brake cover set ZN+STD		2)
59	08498533	1	Terminal box set KB140-160		
62	10015384	3	Feeler gauge set		
65	89506144	1	Corrugated hose FFMYDNW17		
66	82157044	1	Pipe socket M25X1,5 NW17		
67	79499444	1	Reduction M40-M25 M		
68	82157444	1	Pipe socket M40X1,5 NW37		
70	79499344	1	Reduction M50-M32 M		
71	82157344	1	Pipe socket M32X1,5 NW37		

21731101.tbl

- # 1) When ordering a rotor or stator, an air gap adjustment set (item no. 17) and feeler gauge set (item no. 62) must also be ordered for adjusting the theoretical air gap.
- 2) For service in arduous conditions, galvanized brake surface.
- 3) Sealing surfaces between motor and gearbox flange to be sealed with Loctite 573. Part no. 033 068 44.