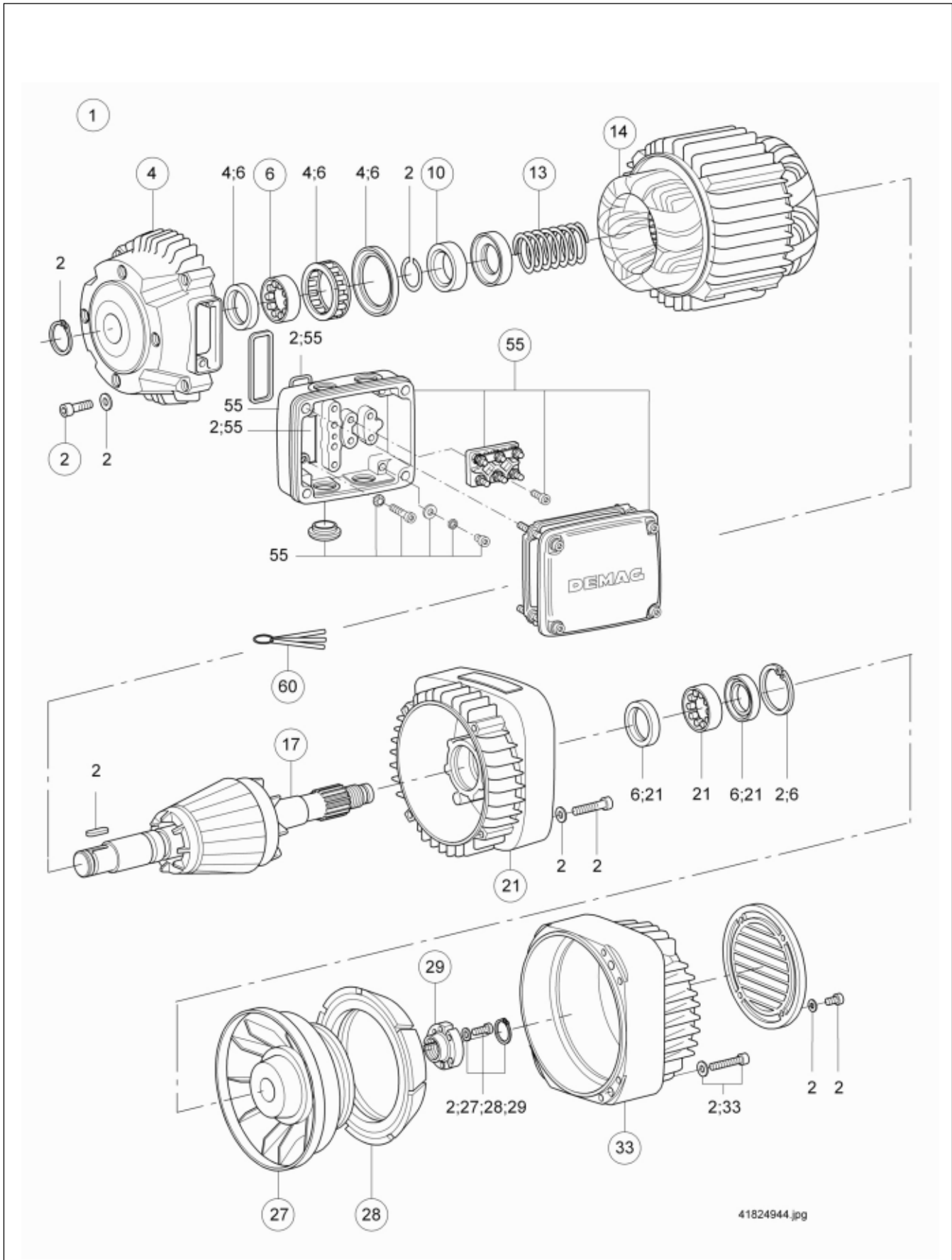


# Creep hoist motor KBA 90 B4



41824944.jpg

# Creep hoist motor KBA 90 B4

Item no.	Part no.	Quantity	Designation	Material	Standard
1	06017184	1	Motor KBA 90B 4 GB14		
2	06483533	1	Mounting parts set KB 90		
4	06460333	1	End shield set AS KB 90		
6	06409933	1	Bearing and sealing set KB 90		
10	06480833	1	Air gap adjustment set KB 90		1)
# 14	06118384	1	Stator KBA 90B 4 AB		230/400 V 50Hz 1)
# 17	06432684	1	Rotor KBA 90B 4 KUP		1)
21	06460633	1	End shield set BS KB 90		
27	06479133	1	Brake set light wide KB90		
28	06478633	1	Conical brake ring KB 90		Form A
29	06471433	1	Clamping nut set KB90		
33	06409833	1	Brake cover set STD+STD		
33	06409733	1	Brake cover set ZN+STD		2)
55	03612833	1	Terminal box set KB 71-90		
60	10015184	3	Feeler gauge set		

21731125.tbl

1) When ordering a rotor or stator, an air gap adjustment set (item no. 10) and feeler gauge set (item no. 60) must also be ordered for adjusting the theoretical air gap.  
 2) For service in arduous conditions, galvanized brake surface.