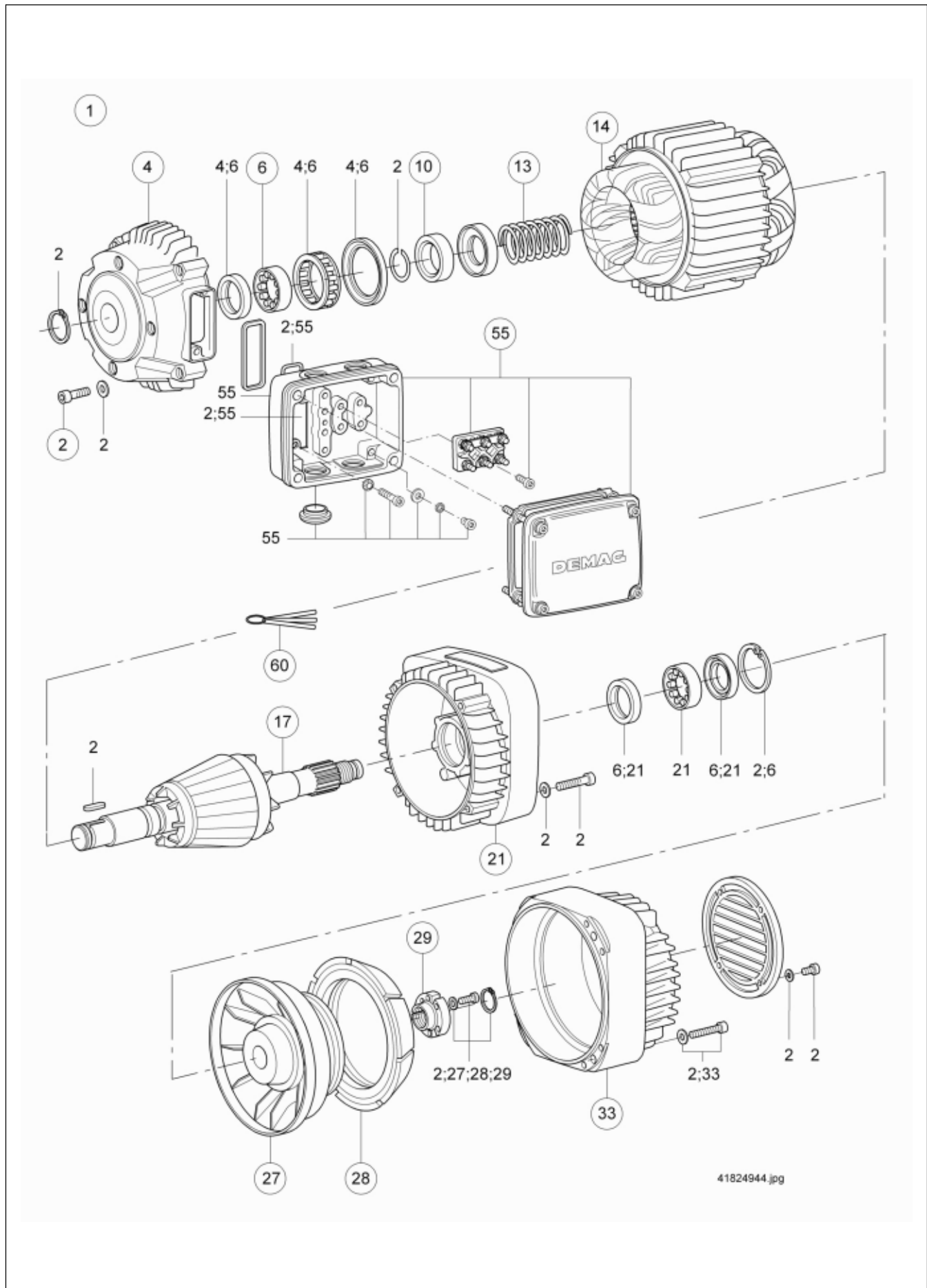


Creep hoist motor KBA 80 B4



Creep hoist motor KBA 80 B4

Item no.	Part no.	Quantity	Designation	Material	Standard
1	05517884	1	Motor KBA 80B 4 GB14		
2	05983533	1	Mounting parts set KB 80		
4	05960333	1	End shield set AS KB 80		
6	05909933	1	Bearing and sealing set KB 80		
10	05980833	1	Air gap adjustment set KB 80		1)
13	05977984	1	Pressure spring 3,4 x32,4x 67 GbGn		300 N
# 14	05618284	1	Stator KBA 80B 4 AB		1)
# 17	05932784	1	Rotor KBA 80B 4 KUP		1)
21	05960633	1	End shield set BS KB 80		
27	05979133	1	Brake set light wide KB80		
28	05978633	1	Conical brake ring KB 80		
29	05971433	1	Clamping nut set KB80		
33	05909833	1	Brake cover set STD+STD		
33	05909733	1	Brake cover set ZN+STD		2)
55	03612833	1	Terminal box set KB 71-90		
60	10015084	3	Feeler gauge set		

21730124.tbl

1) When ordering a rotor or stator, an air gap adjustment set (item no. 10) and feeler gauge set (item no. 60) must also be ordered for adjusting the theoretical air gap.
 2) For service in arduous conditions, galvanized brake surface.