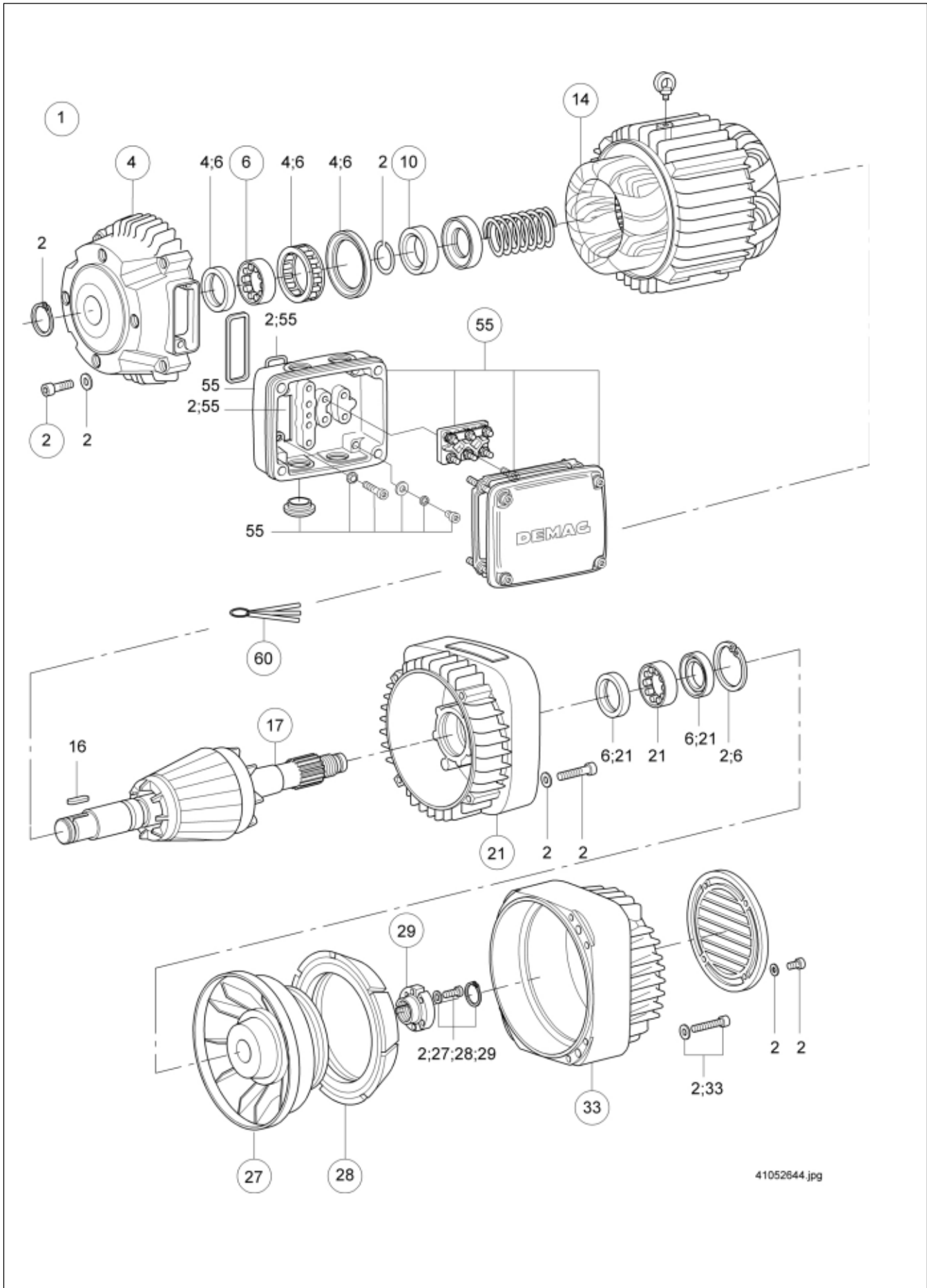


Creep hoist motor KBA 100 B4



41052844.jpg

Creep hoist motor KBA 100 B4

Item no.	Part no.	Quantity	Designation	Material	Standard
1	06516284	1	Motor KBA100B 4 GB14		
2	06983533	1	Mounting parts set KB100		
4	06960333	1	End shield set AS KB 100		
6	06909933	1	Bearing and sealing set KB100		
10	06980833	1	Air gap adjustment set KB100		1)
14	06617433	1	Stator set KBA100B4 AB		1)
17	06932933	1	Rotor set KBA100B 4K		1)
21	06960633	1	End shield set BS KB 100		
27	06979133	1	Brake set KB100 leicht		
28	06978633	1	Conical brake ring KB100		
29	06971433	1	Clamping nut set KB100		
33	06909833	1	Brake cover set STD+STD		
33	06909733	1	Brake cover set ZN+STD		2)
55	06998533	1	Terminal box set KB100-125		
60	10015184	3	Feeler gauge set		

21731126.tbl

1) When ordering a rotor or stator, an air gap adjustment set (item no. 10) and feeler gauge set (item no. 60) must also be ordered for adjusting the theoretical air gap.
 2) For service in arduous conditions, galvanized brake surface.