



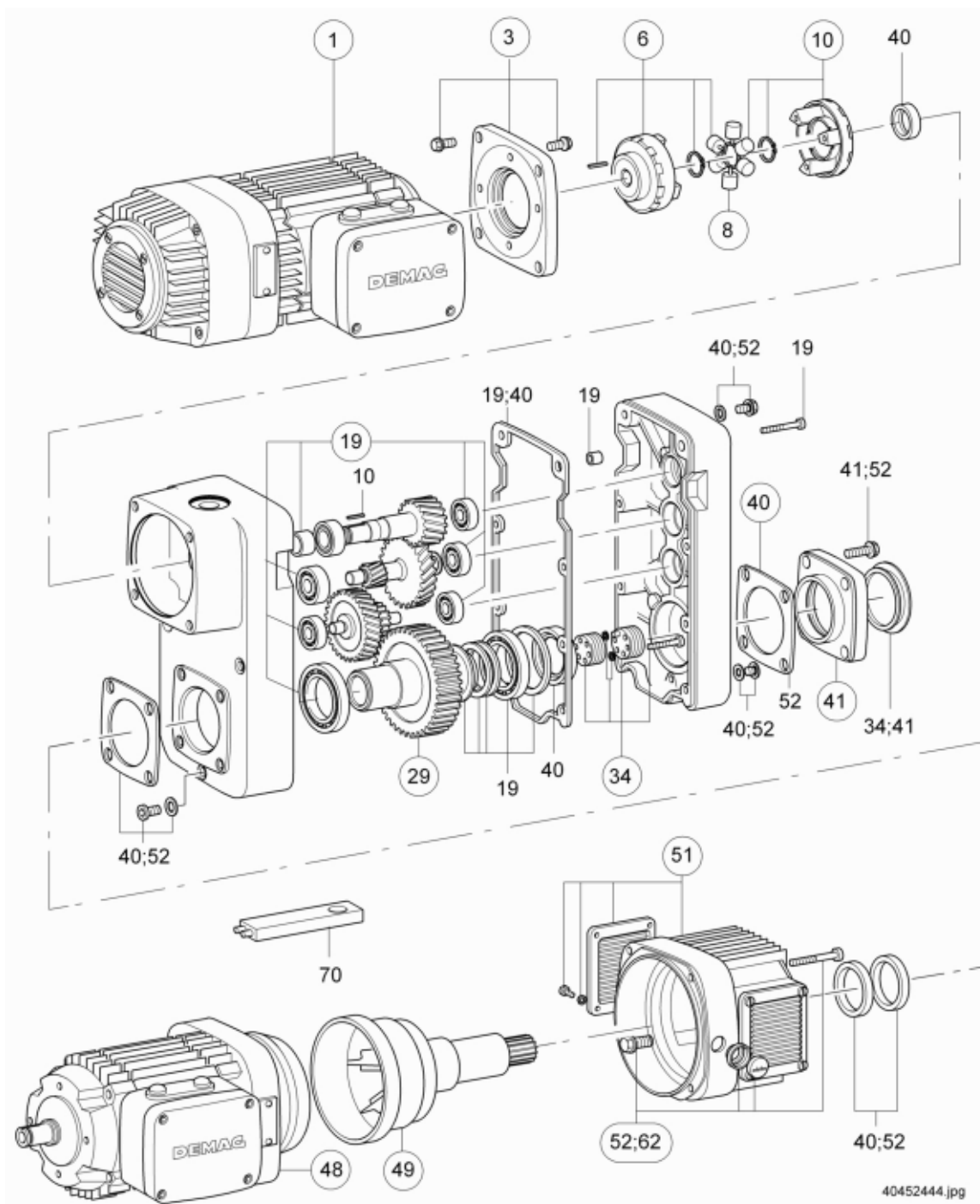


Mechanical microspeed unit FG 10

Gear oil

◀ Ventilation at highest point of the gearbox

Basic form		Oil quantity in litres	Part no.
U0 	U2 	5	472 900 44 2,5 litres
U1 	U3 	4	



Mechanical microspeed unit FG 10

Item no.	Part no.	Quantity	Designation	Material	Standard
1			Motor KBA 90		see page 46
1			Motor KBA 100		see page 48
3	71532233	1	Intermediate flange D08 80 200.2		Mot. 90
3	71532633	1	Intermediate flange D08112 200.4		Mot. 100 for H2
6	35190933	1	Coupling set M H1N-24		Mot. 90
6	35192233	1	Coupling set M H2N-24K		Mot. 100
8	71822133	1	Roller spider coupling Set		
10	35193233	1	Coupling set G H1N-24		Mot. 90
10	35193433	1	Coupling set G H2N-24		Mot. 100
19	35165133	1	Bearing set FG10		
30	71745233	1	Hollow shaft set FG10 U-Ausf		Main hoist mot. 160, MA= 70 Nm
30	71745333	1	Hollow shaft set FG10 U-Ausf		Main hoist mot. 200
34	35069133	1	Brake stroke adjustment set FG10		
40	35065233	1	Seal set FG10		
41	35065333	1	Bearing cover set FG10		
48			Motor KBH 160		see page 6
49	71796633	1	Brake shaft set FG10KB160		
49	71796833	1	Brake shaft set FG10KB200		
51	71791433	1	Cover set FG10/KB 160		
51	71791833	1	Cover set FG10/KB 200		
			Motor KBH 200		see page 10
52	71741033	1	Mounting parts set FG10 KB		
62	35069033	1	Fixing set Haube FG10		
70	71749844	1	Adjusting wrench brake FG10		

21731124.tbl