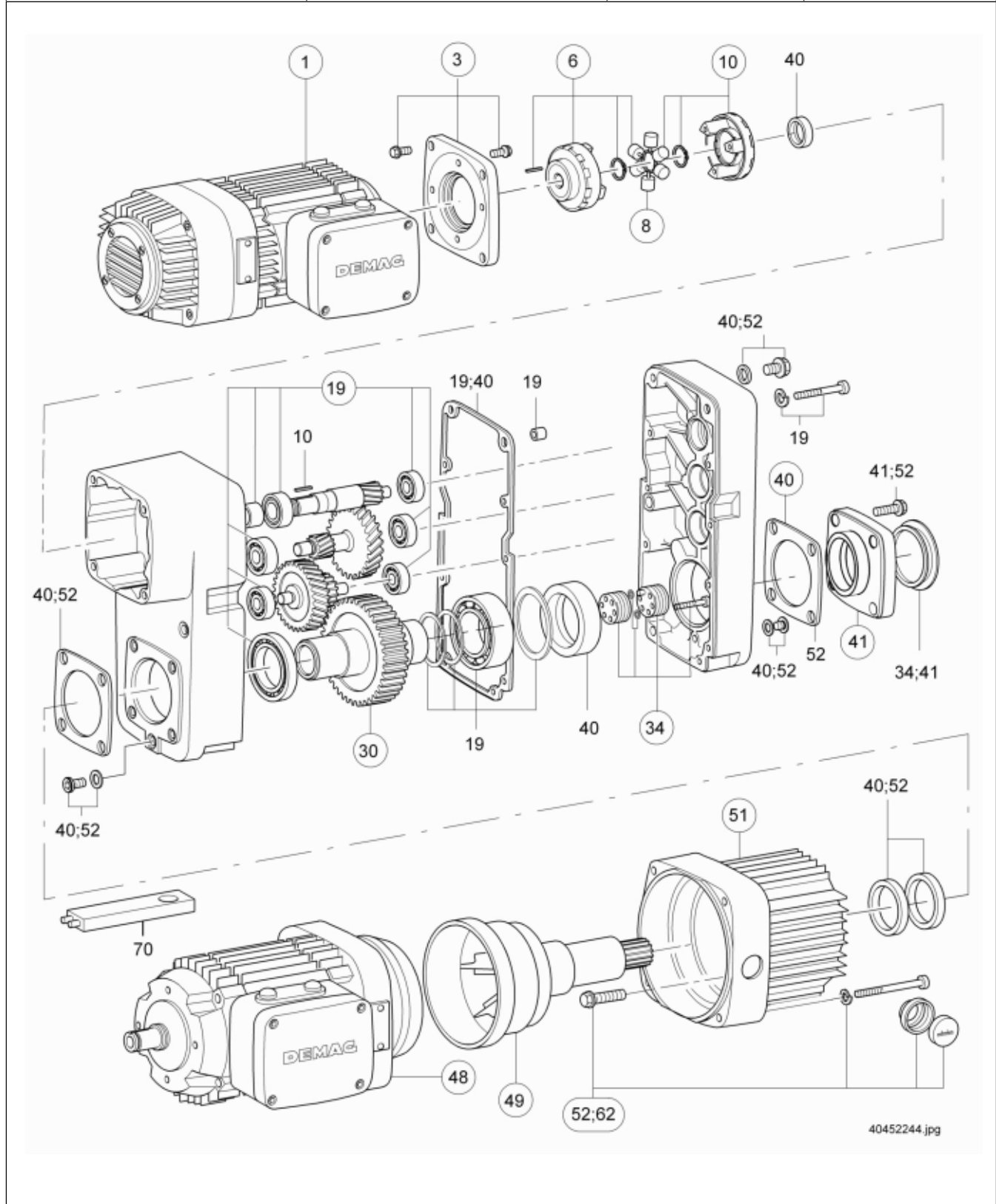


# Mechanical microspeed unit FG 08

## Gear oil

◀ Ventilation at highest point of the gearboxes

Basic form		Oil quantity in litres	Part no.
U0	U2	2	472 900 44 2,5 litres
U1	U3	1,5	



# Mechanical microspeed unit FG 08

Item no.	Part no.	Quantity	Designation	Material	Standard
1			Motor KBA 80		see page 44
3	35189233	1	Coupling flange set FG08		
6	35190733	1	Coupling set M H1N-19		
8	71822133	1	Roller spider coupling Set		
10	35193233	1	Coupling set G H1N-24		
19	35060133	1	Bearing set FG08		
30	71735233	1	Hollow shaft set FG08 U-Ausf		
34	35064133	1	Brake stroke adjustment set FG08		
40	35060233	1	Seal set FG08		
41	35060333	1	Bearing cover set FG08		
48			Motor KBH 140		see pages 4 - 5
49	71786833	1	Brake shaft set FG08KB140ZN		
51	71781833	1	Cover set FG08/KB 140		
52	71731033	1	Mounting parts set FG08 KB		
70	71739844	1	Adjusting wrench brake FG08		

21731123.tbl