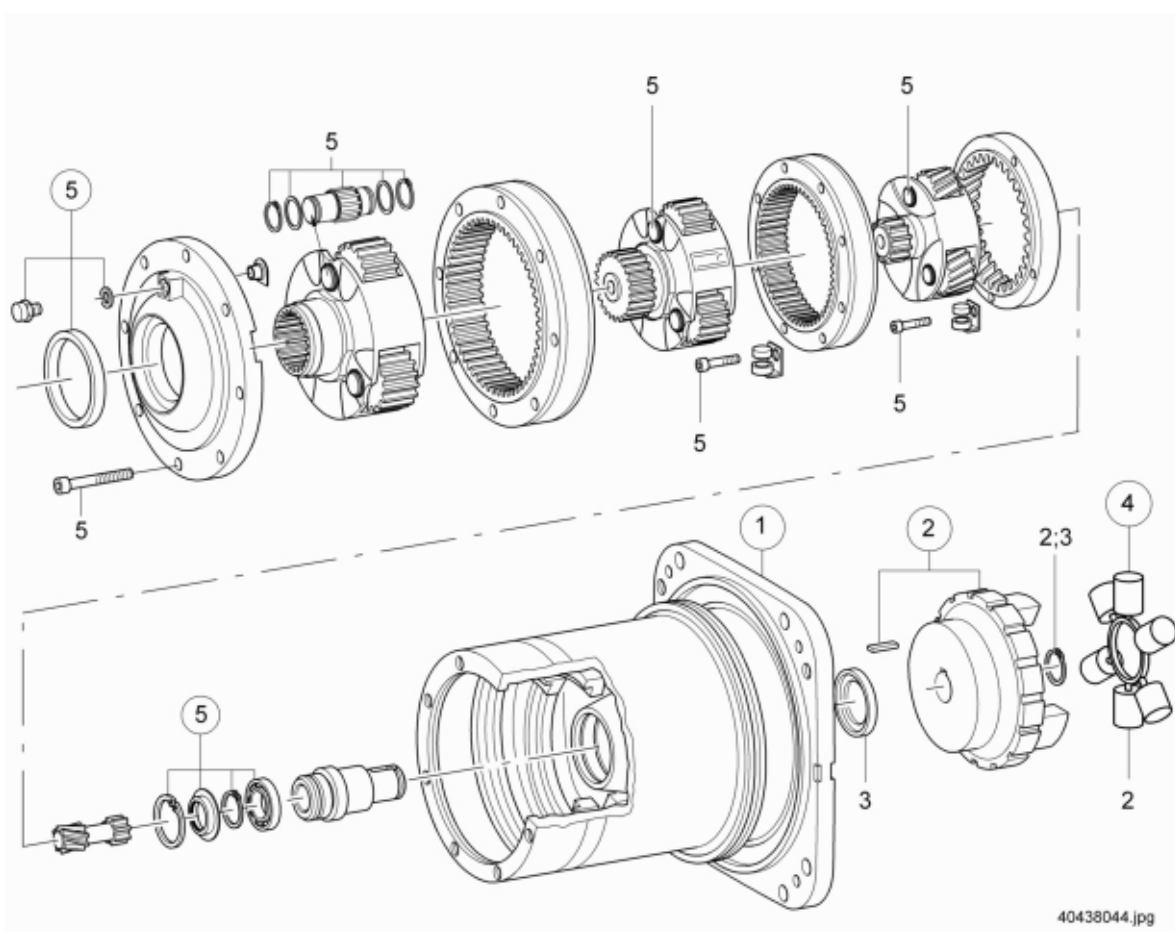


### 3-stage, planetary gearbox

Planetary gear combination with relevant motor for two hoist speeds



# 3-stage, planetary gearbox

## Planetary gear combination with relevant motor for two hoist speeds

Item no.	Part no.	Quantity	Designation	Material	Standard
			<b>Gearbox for motor KBH 160B2/12</b>		
# 1	82452133	1	Gearbox set DH1000 3ST	1) 2)	
# 1	82452233	1	Gearbox set DH1000 3ST	c/w items 2 - 5, DH 1050 V1, i = 260,6	
# 1	82452333	1	Gearbox set DH1000 3ST	c/w items 2 - 5, DH 1040, 1032 V1, i = 226,8	
			<b>Gearbox for motor KBH 180B2/12</b>		
# 1	82452233	1	Gearbox set DH1000 3ST	1) 2)	
# 1	82452333	1	Gearbox set DH1000 3ST	c/w items 2 - 5, DH 1063 V2, i = 226,8	
# 1	82452433	1	Gearbox set DH1000 3ST	c/w items 2 - 5, DH 1050 V2, i = 190,6	
# 1	82452533	1	Gearbox set DH1000 3ST	c/w items 2 - 5, DH 1040, 1032 V2, i = 141,2	
			<b>Gearbox for motor KBH 200B2/12</b>		
# 1	82453633	1	Gearbox set DH1000 3ST	1) 2)	
# 1	82453733	1	Gearbox set DH1000 3ST	c/w items 2 - 5, DH 1063 V3, i = 165,9	
# 1	82453833	1	Gearbox set DH1000 3ST	c/w items 2 - 5, DH 1050 V3, i = 133,6	
# 1	82453933	1	Gearbox set DH1000 3ST	c/w items 2 - 5, DH 1040, 1032 V3, i = 103,2	
2	35194533	1	Coupling set G H3ND-55	c/w items 2 - 5, DH 1025 V3, i = 85,4	
3	82415033	1	Seal set DH1000		
4	71842133	1	Roller spider coupling Set		
# 5	82417033	1	Bearing set DH1000 3Stuf		

21731105.tbl

1) When replacing a complete gearbox, it must always be ordered with a new drum bearing set.  
 2) Quantity 6 litre, part no. 472 930 44 (2,5 kg).